

Liner Panels & Trims

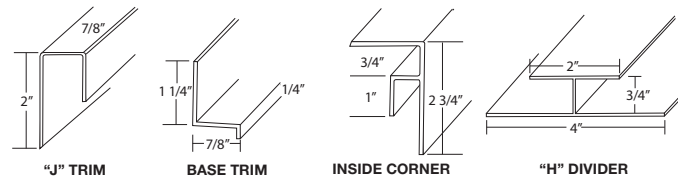
{ LP-9 PVC TUFF-RIB LINER PANEL } (vinyl)



LP-9 White P.V.C. Liner Panel (36" Coverage)
Available in 8'2" - 10'2" - 12'2" - 16'4" - 20'4" lengths

PVC Trims - White

LP9PVCJT "J" Trim
LP9PVCBF Base Trim
LP9PVCISC Inside Corner
LP9PVCDIV "H" Divider



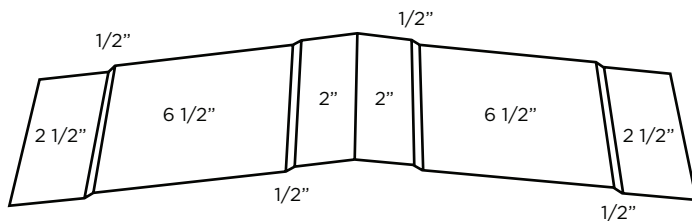
{ POLY-CARBONATE TUFF-RIB PANEL }



Available in 8', 10' and 12' Lengths

Thickness .031

{ CRYSTAL CLEAR POLY-CARBONATE RIDGE CAP }



Available in 2' x 10'6"

Thickness .047

* Ideal for greenhouses and other applications where excellent light transmission is needed in a lightweight product

** High resistance to the harmful effects of weather: both for the impact strength to resist hail damage and in UV protection

Trusscore

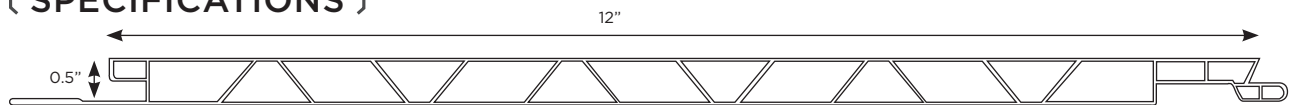
(TRUSS-CORE INTERLOCKING WHITE PVC LINER)

White PVC Truss-Core (0.5" Thick)
12" Wide - 10', 12', 16', 18' & 20' Length
16" Wide - 10', 12', 16' & 20' Length

White PVC Truss-Core Trims (All in 10' Lengths)

TCDIV	"H" Trim	TCIOSC	Inside/Outside Corner
TCJT	"J" Trim	TCDIV45	45° "H" Trim
TCOSC	Outside Corner		
TCISC	Inside Corner		
TCBF	Base Trim		

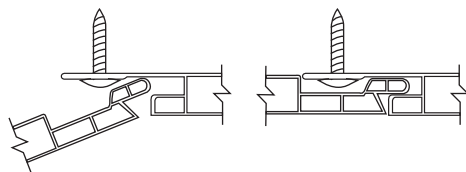
(SPECIFICATIONS)



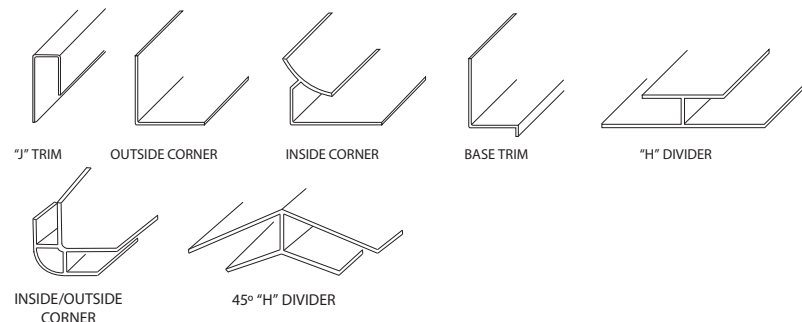
- TRUSSCORE PVC Interlocking Liner Panel comes in standard 10', 12', 16' & 20' lengths.
- Custom lengths are available, maximum length is 24'. (Allow for Additional leadtime)

Trusscore's unique tongue-and-groove interlocking system makes both vertical and horizontal installation quick and easy

Fastener Detail



Trims and Flashing



(RATINGS)

- Class A fire rating as per ASTM E84 (Flame spread = 25)
- CFIA approved for walls and ceilings